

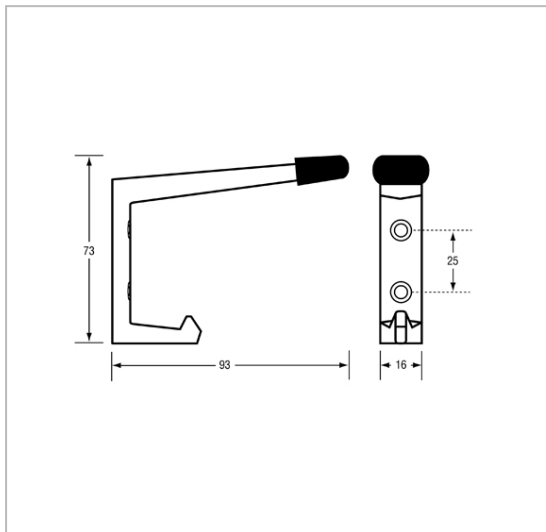


202 Coat Hook

SPECIFICATIONS

Material	Diecast Zinc, Alloy ZP3 Rubber Bumper
Finish/Specify	202SCP_HOOK: Satin Chrome Plated 202CP: Bright Chrome Plated
Mounting	Screw Fix
Dimensions	73x16x93mm

SUITABLE APPLICATIONS



The photographs and line drawings of the products presented above are representational only.
Metlam Australia Pty Ltd reserves the right to, and from time to time, make changes and improvements in design and dimensions.