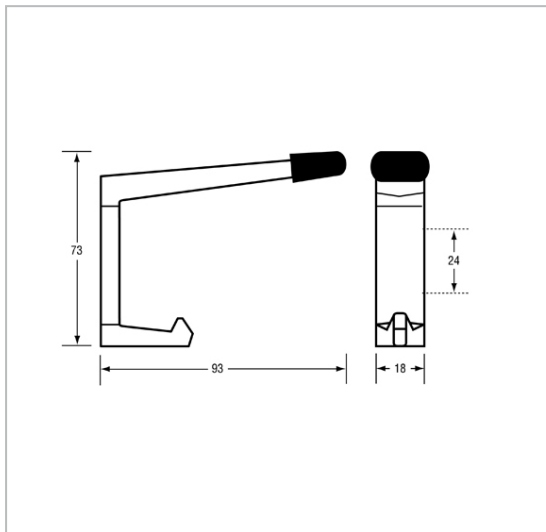




## 202C Concealed Fix Coat Hook

### SPECIFICATIONS

<b>Material</b>	Diecast Zinc, Alloy ZP3 Rubber Bumper ABS Snap On Cover
<b>Finish/Specify</b>	<b>202C_CONCEALED:</b> Satin Chrome Plated <b>202C_BCP:</b> Bright Chrome Plated <b>202C_SNP:</b> Satin Nickel Plated - Stainless Steel look
<b>Mounting</b>	Concealed Screw Fix
<b>Dimensions</b>	73x18x93mm



### SUITABLE APPLICATIONS



The photographs and line drawings of the products presented above are representational only.  
Metlam Australia Pty Ltd reserves the right to, and from time to time, make changes and improvements in design and dimensions.