

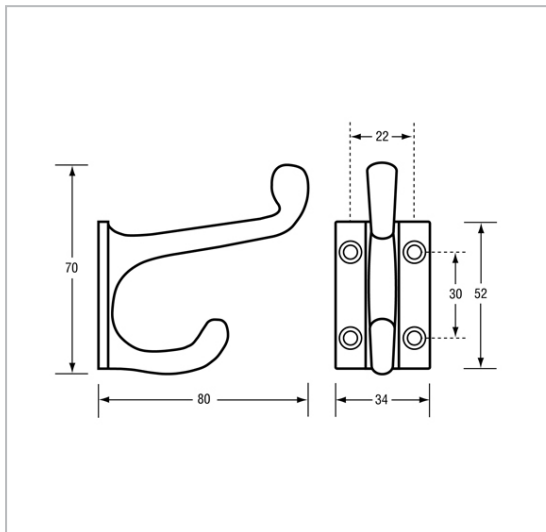


204HOOK Coat Hook - Satin Finish

SPECIFICATIONS

Material	Diecast Zinc, Alloy ZP3
Finish/Specify	Satin Chrome Plated
Mounting	Visible Screw Fix
Dimensions	70x34x80mm

SUITABLE APPLICATIONS



The photographs and line drawings of the products presented above are representational only.
Metlam Australia Pty Ltd reserves the right to, and from time to time, make changes and improvements in design and dimensions.