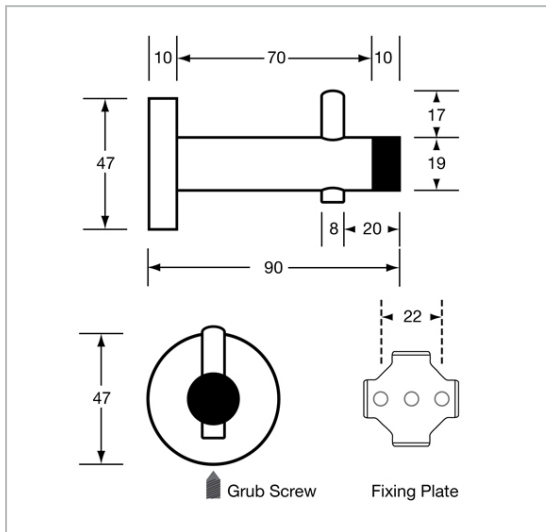




700_SS_COATHOOK Coat Hook - SS

SPECIFICATIONS

Material	#304 Stainless Steel Rubber Bumper
Finish	Satin Stainless Steel (SSS)
Mounting	Concealed Screw Fix via Fixing Plate Allen Key Supplied
Dimensions	47x47x90mm
Related Video	Stainless Steel Cleaning & Maintenance



SUITABLE APPLICATIONS



The photographs and line drawings of the products presented above are representational only.
Metlam Australia Pty Ltd reserves the right to, and from time to time, make changes and improvements in design and dimensions.