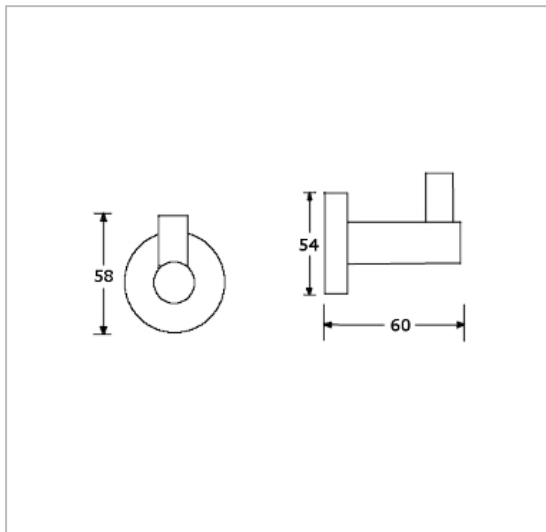


**DESIGNER\_2709****Designer Black - Hat & Coat Hook****SPECIFICATIONS**

<b>Material</b>	Stainless Steel
<b>Finish</b>	Satin Matte Black
<b>Mounting</b>	Concealed Screw Fix via Ferrule
<b>Dimenisons</b>	54mmW x 54mmH x 60mmD
<b>Related Video</b>	<a href="#">Stainless Steel Cleaning &amp; Maintenance</a>

**SUITABLE APPLICATIONS**

The photographs and line drawings of the products presented above are representational only.  
Metlam Australia Pty Ltd reserves the right to, and from time to time, make changes and improvements in design and dimensions.