

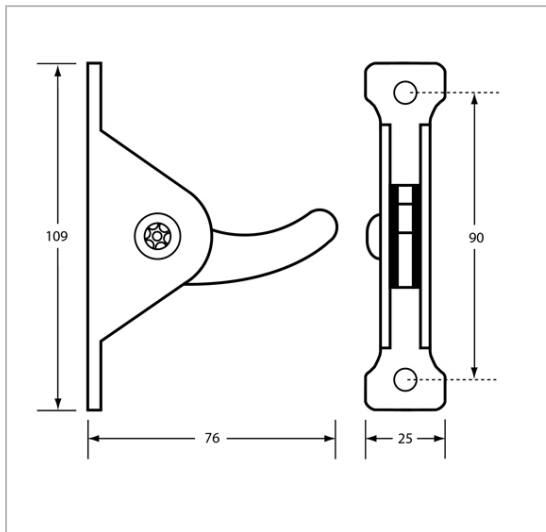


ML2117 Collapsible Coat Hook

SPECIFICATIONS

Material	#304 Stainless Steel
Finish	Satin Stainless Steel (SSS)
Mounting	Visible Screw Fix
Dimensions	108x108x56mm
Features	Nominal 12kg Load Capacity
Related Video	Stainless Steel Cleaning & Maintenance

SUITABLE APPLICATIONS



The photographs and line drawings of the products presented above are representational only. Metlam Australia Pty Ltd reserves the right to, and from time to time, make changes and improvements in design and dimensions.