

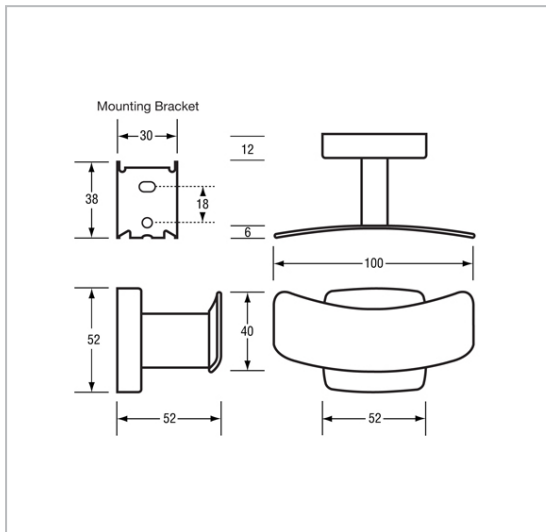


ML211B Double Robe Hook - SS Bright Finish

SPECIFICATIONS

| | |
|-----------------------|---|
| Material | #304 Stainless Steel |
| Finish/Specify | ML211S: Satin Stainless Steel ML211B: Polished Stainless Steel |
| Mounting | Concealed Screw Fix |
| Dimensions | 52x100x52mm |
| Related Video | Stainless Steel Cleaning & Maintenance |

SUITABLE APPLICATIONS



The photographs and line drawings of the products presented above are representational only.
Metlam Australia Pty Ltd reserves the right to, and from time to time, make changes and improvements in design and dimensions.