

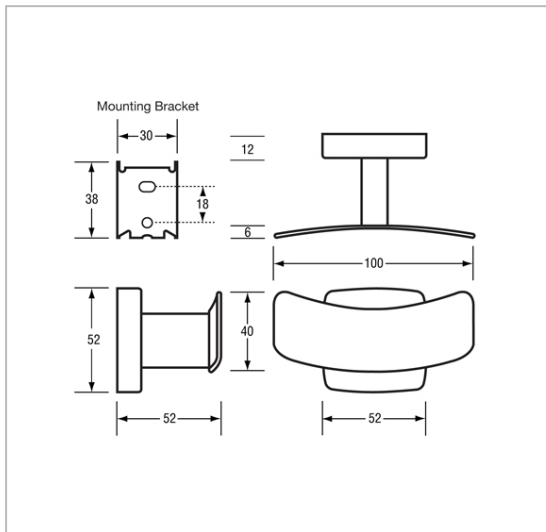


ML211S Double Robe Hook - SS Satin Finish

SPECIFICATIONS

Material	#304 Stainless Steel
Finish/Specify	ML211S: Satin Stainless Steel ML211B: Polished Stainless Steel
Mounting	Concealed Screw Fix
Dimensions	52x100x52mm
Related Video	Stainless Steel Cleaning & Maintenance

SUITABLE APPLICATIONS



The photographs and line drawings of the products presented above are representational only.
Metlam Australia Pty Ltd reserves the right to, and from time to time, make changes and improvements in design and dimensions.